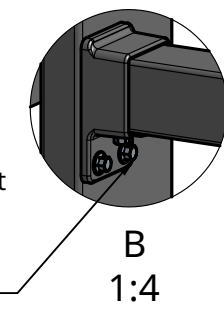
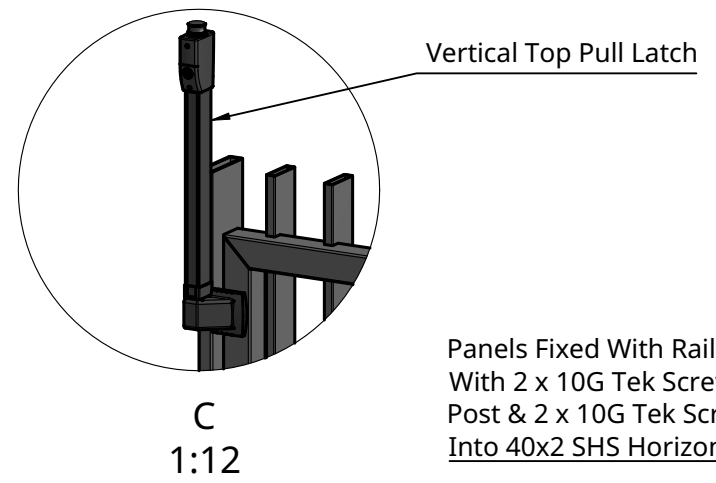
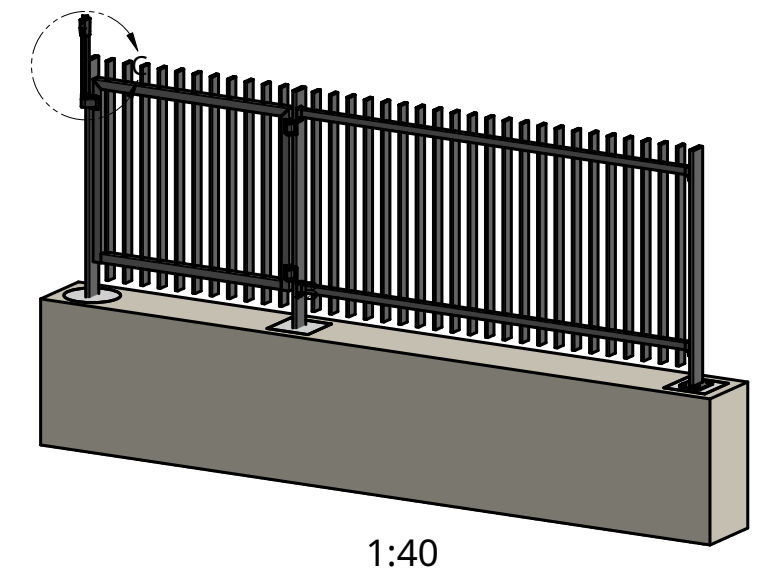
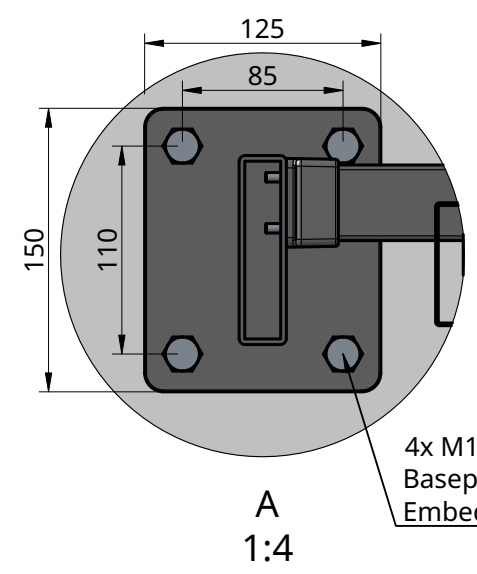


Urban Group has taken care to design and create this drawing based on our interpretation of information provided by the customer. Sole responsibility sits with the customer to review and approve this drawing and to ensure that the finished product will be suitable for use as intended. No liability sits with Urban Group if the product is made as per the details shown on the drawing and is then not suitable for use. Any changes in measurements, quantities, sizing, colour must be captured on this drawing and a new revision created. The final revision is then approved by the customer prior to manufacture. At this point the customer accepts responsibility that the information is correct. Any changes during the design stages that we not originally allowed for, eg adding a rake or changing materials, may be chargeable. If the drawing has been completed and the order is cancelled or does not proceed, a drawing and design fee of \$300 + GST may be chargeable. All measurements are shown in millimetres, drawings are shown from the outside looking in.



Panels Fixed With Rail Bracket With 2 x 10G Tek Screws Into Post & 2 x 10G Tek Screws Into 40x2 SHS Horizontal



4x M12 Fixings Per Baseplate, 90mm Min. Embedment Into Concrete

