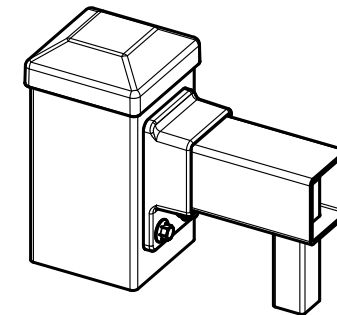
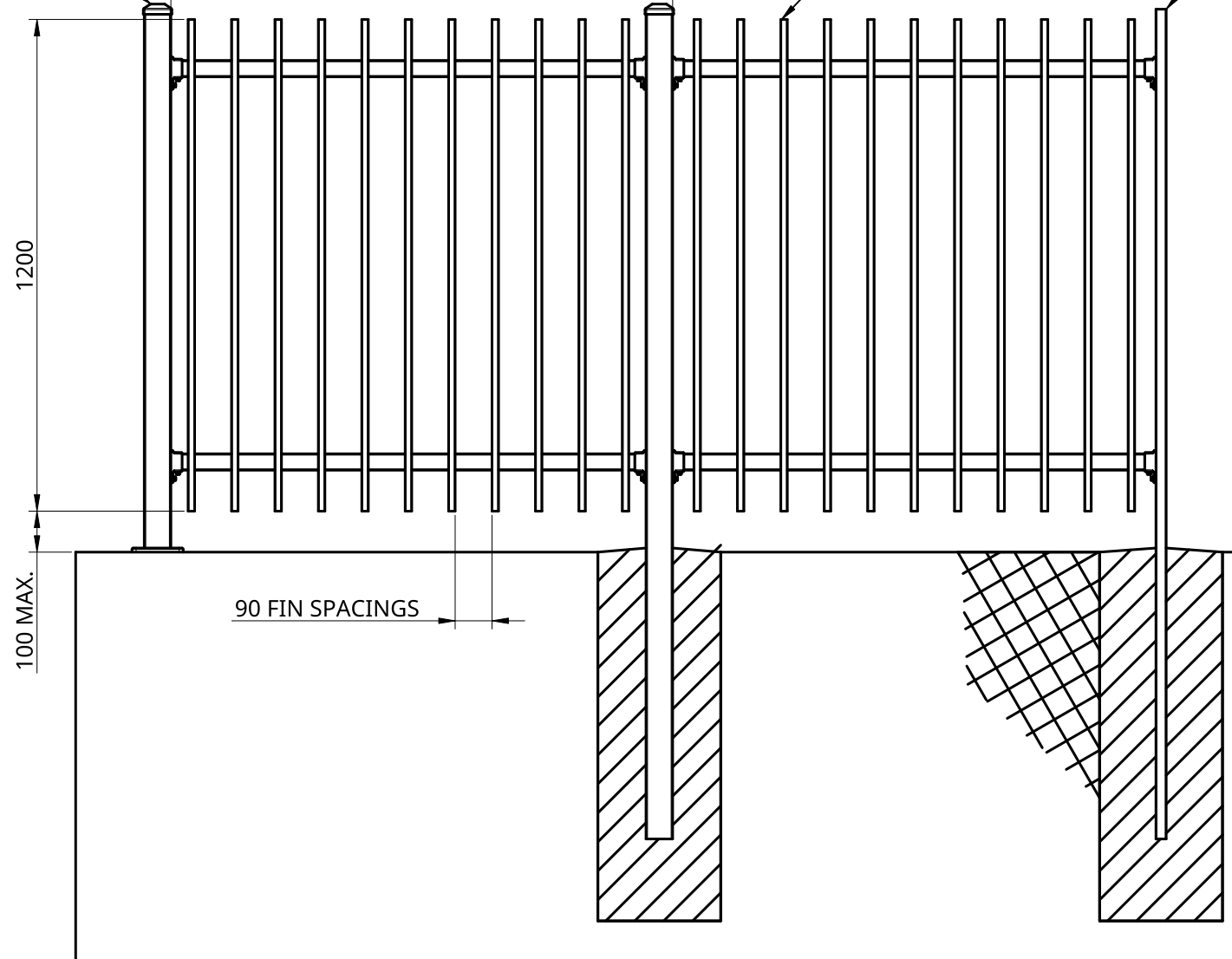


65X65X3 SHS 6061 T6 POSTS
CAN BE USED IN GROUND OR
WITH WELDED BASEPLATES

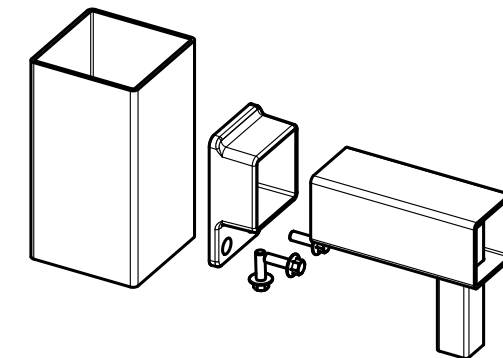
1225 MAX. POST CENTRES

PALADIN FIXED PANEL
PRODUCT CODE: UFFIN12

100X25X3 RHS 6061 T6 POST
OPTION ONLY TO BE USED FOR
IN GROUND APPLICATIONS



FIXED PANEL TO POST DETAIL
1:4

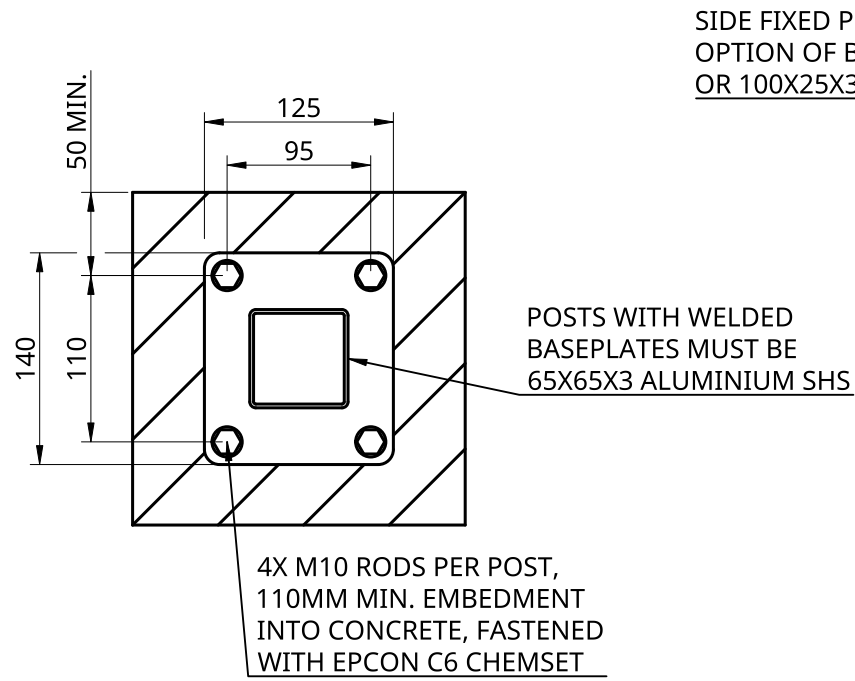
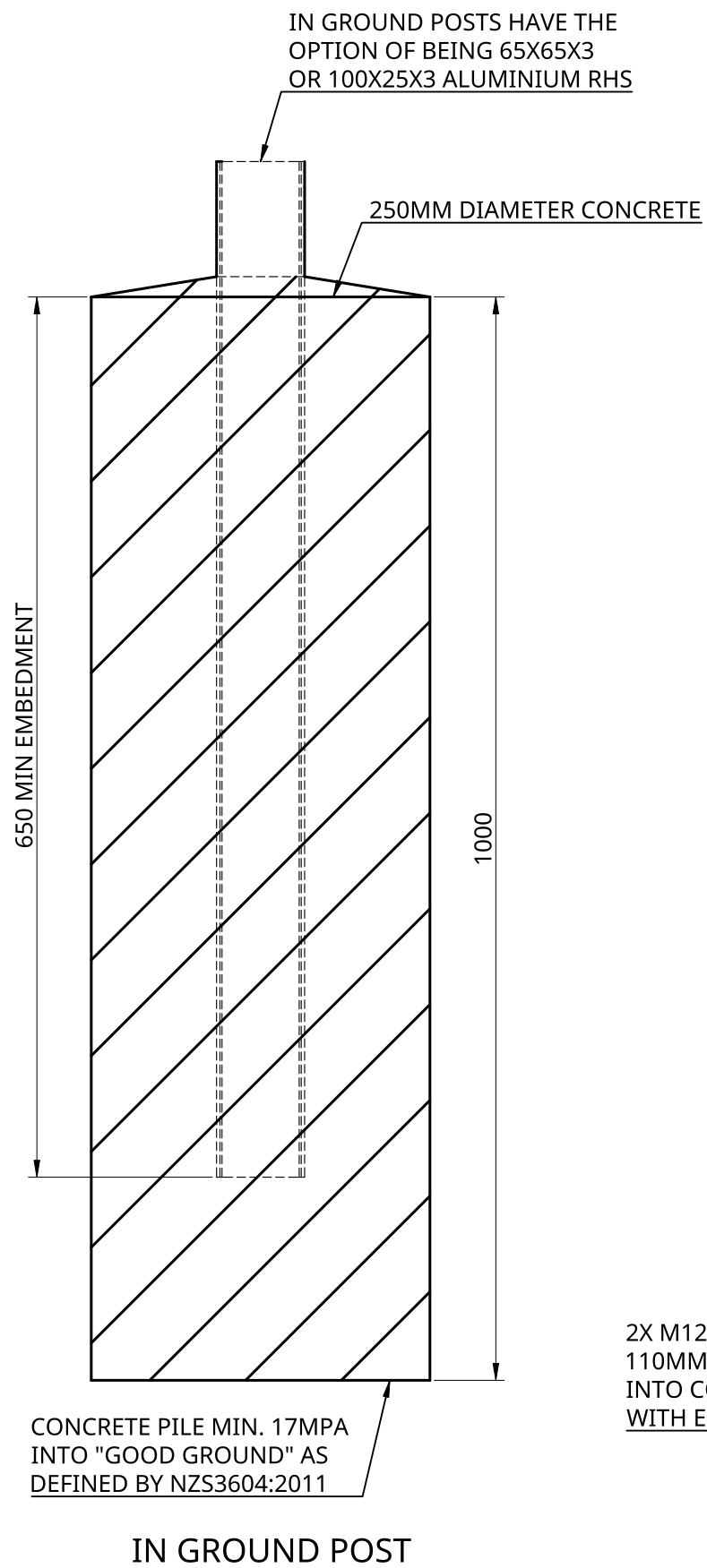


FIXED PANEL TO POST DETAIL
1:4

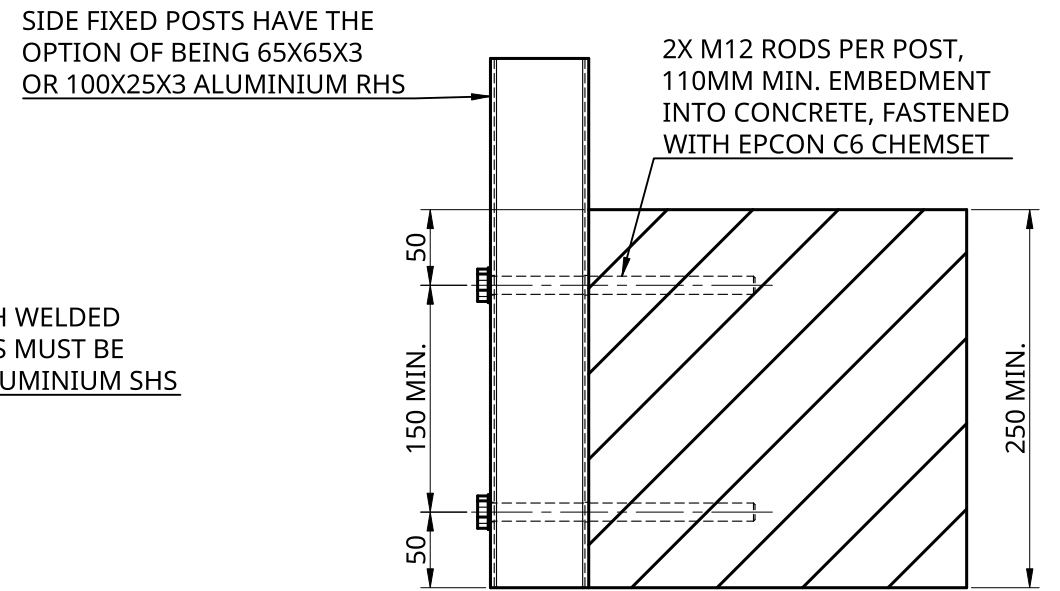
PANEL CODE	DESCRIPTION	BRACKET CODE	HEIGHT	WIDTH	HORIZONTALS	VERTICALS	TUBE SPACINGS
UFFIN12	PALADIN FENCE PANEL	HBKT40	1200	1200	40X40X2 SHS	65X16X1.3 RHS	90 (106 CENTRES)



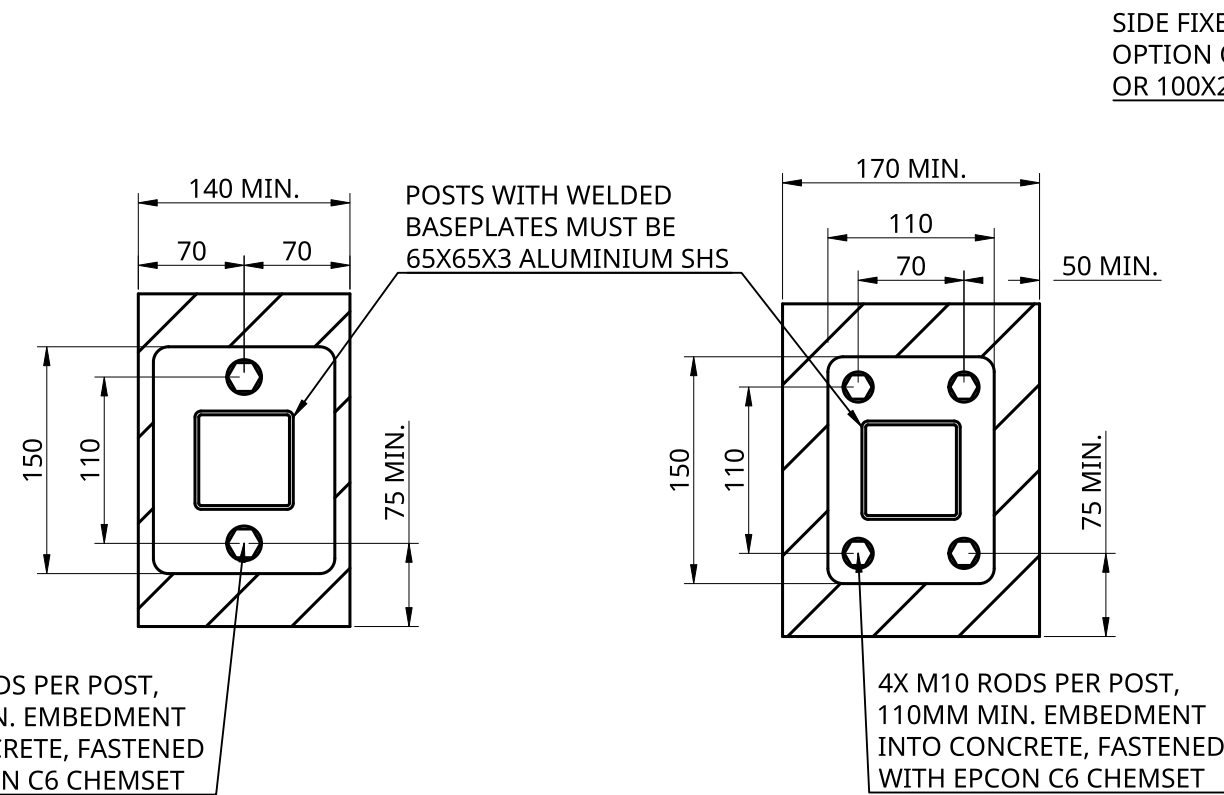
SIZE:	A3	SCALE:	1:16
DRAWING NO:	PAL1225 - SS	REVISION:	01
DATE ISSUED:	2023-04-03	SHEET:	1 OF 4



TOP FIX TO CONCRETE DECK

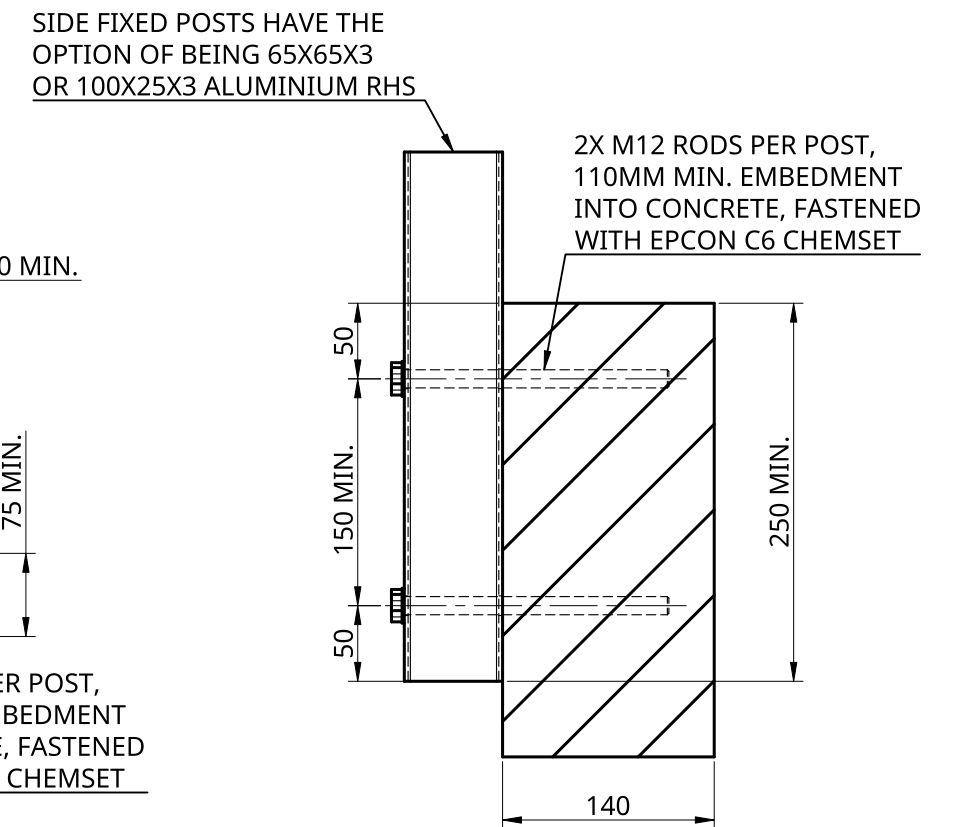


SIDE FIX TO CONCRETE DECK

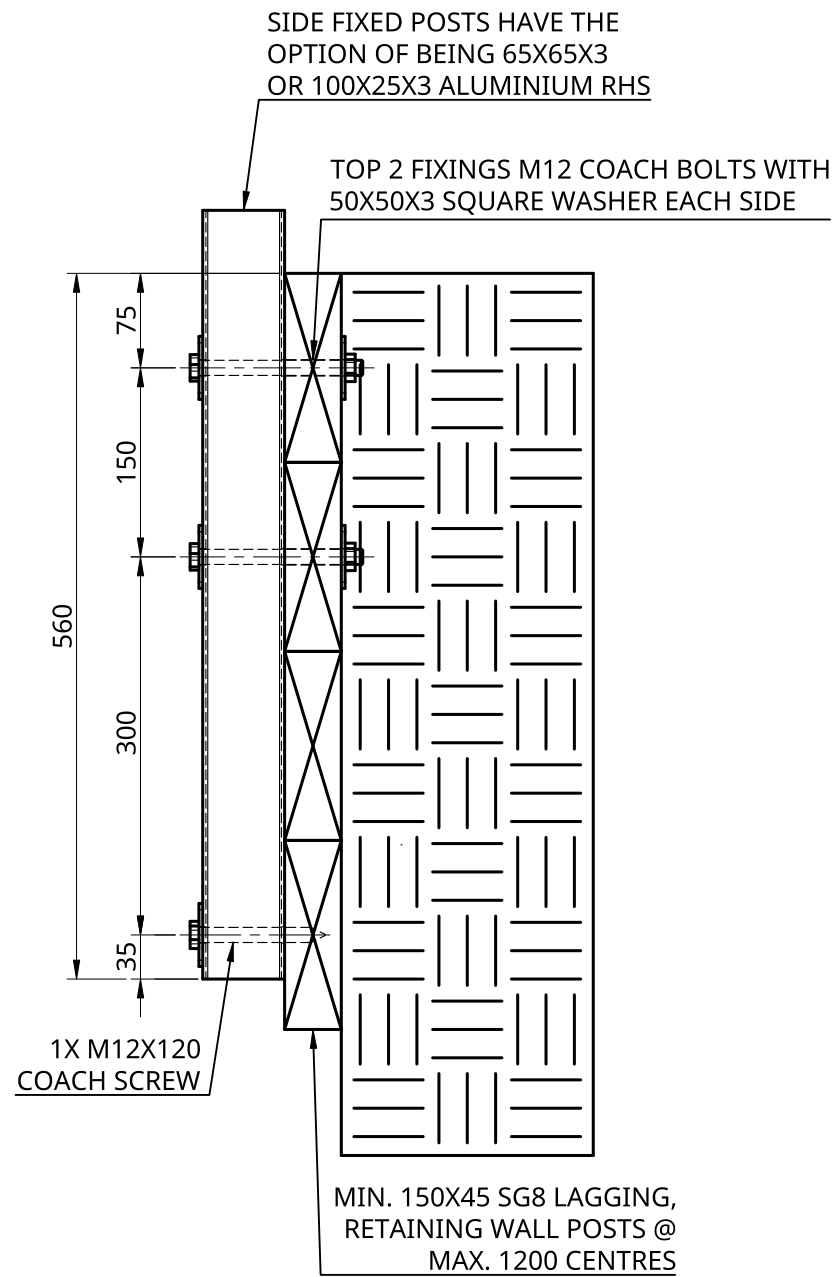


TOP FIX TO CONCRETE WALL

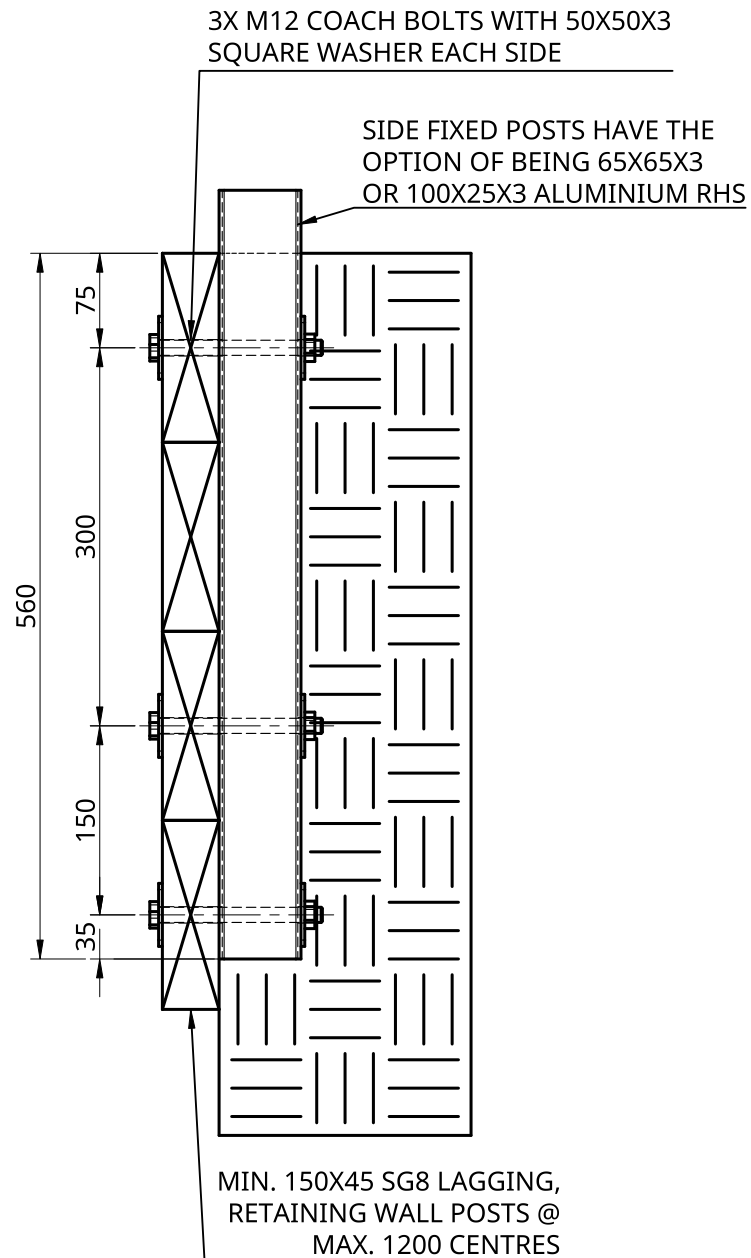
TOP FIX TO CONCRETE WALL



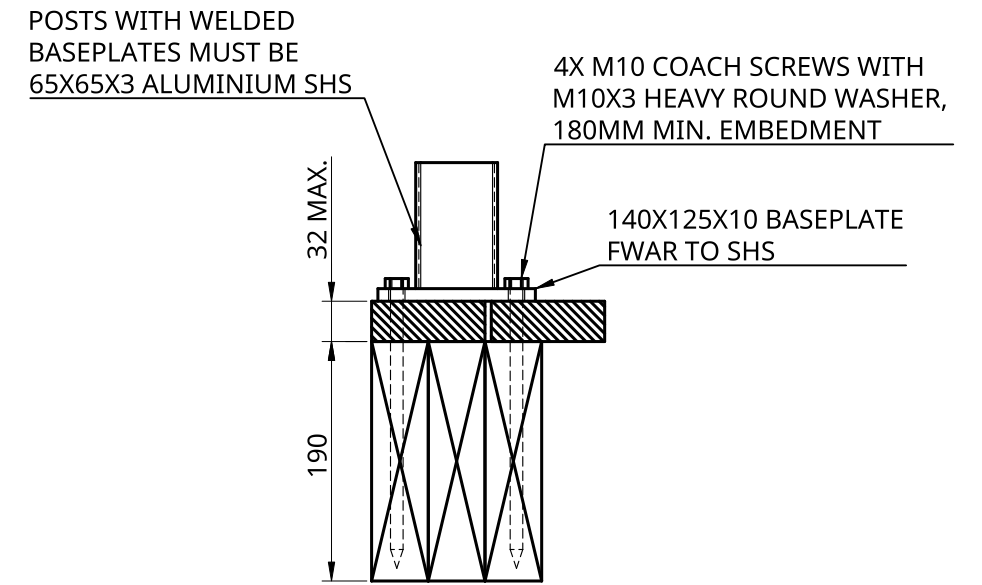
SIDE FIX TO CONCRETE WALL



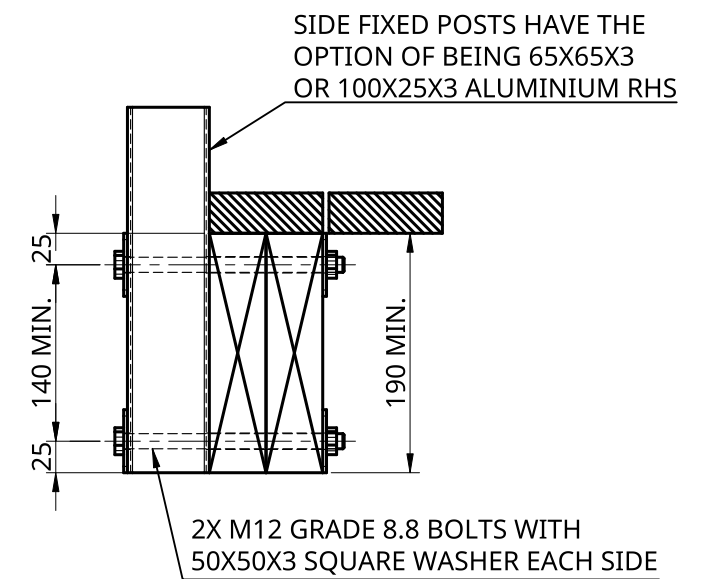
SIDE FIX TO TIMBER RETAINING WALL



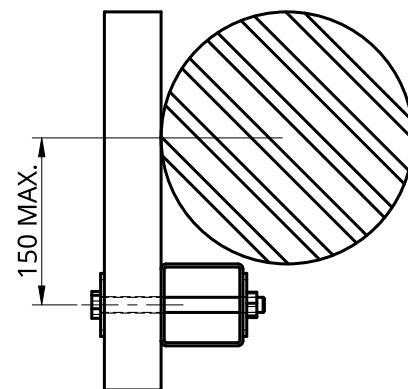
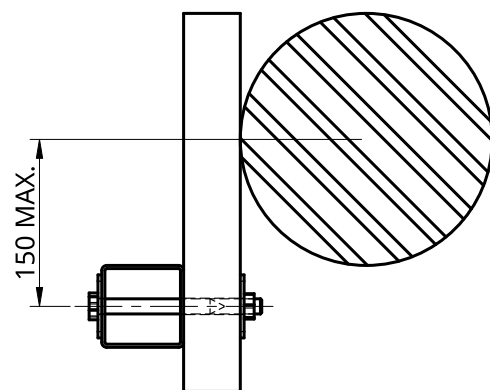
SIDE FIX TO TIMBER RETAINING WALL

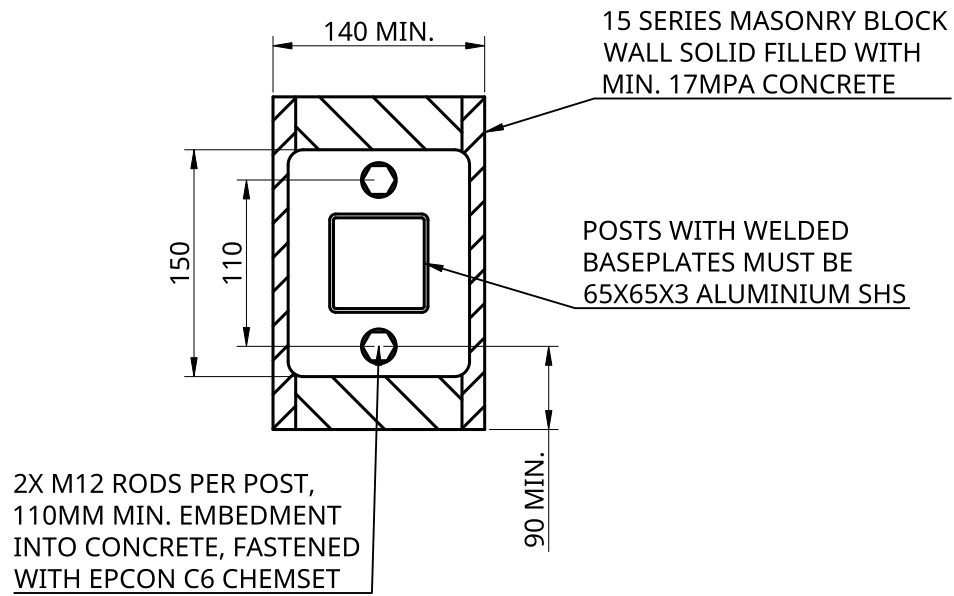


TOP FIX TO TIMBER DECK

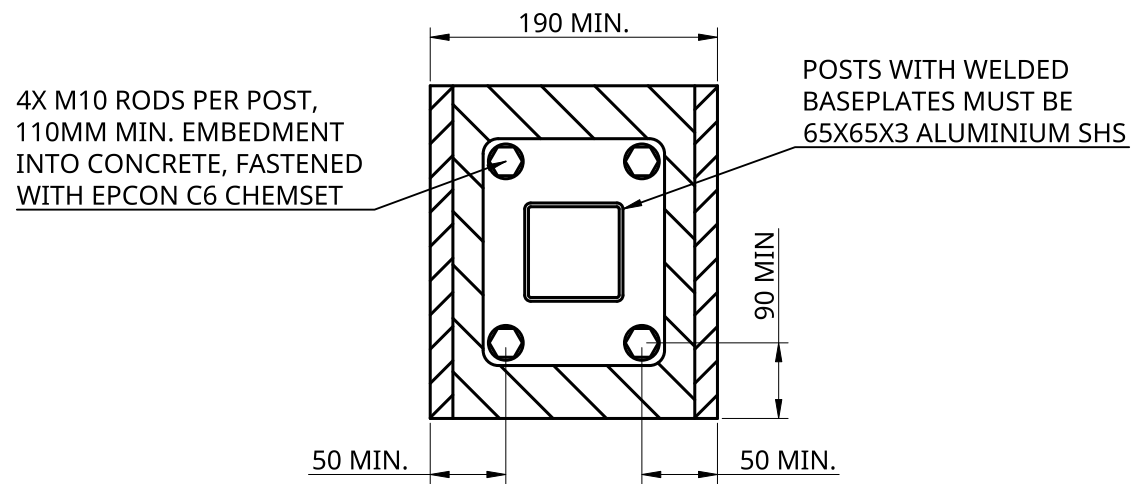


SIDE FIX TO TIMBER DECK

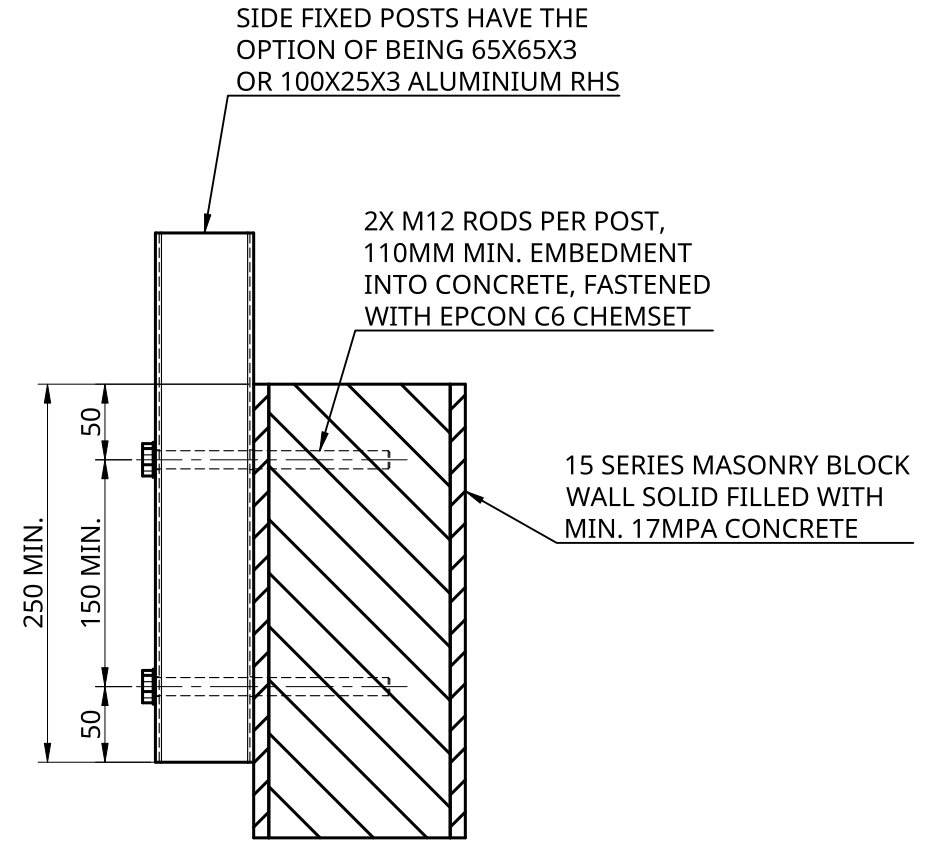




TOP FIX TO MASONRY WALL



TOP FIX TO MASONRY WALL



SIDE FIX TO MASONRY WALL

	SIZE:	A3	SCALE:	1:5
	DRAWING NO:		REVISION:	01
	DATE ISSUED:	2023-04-03	SHEET:	4 OF 4