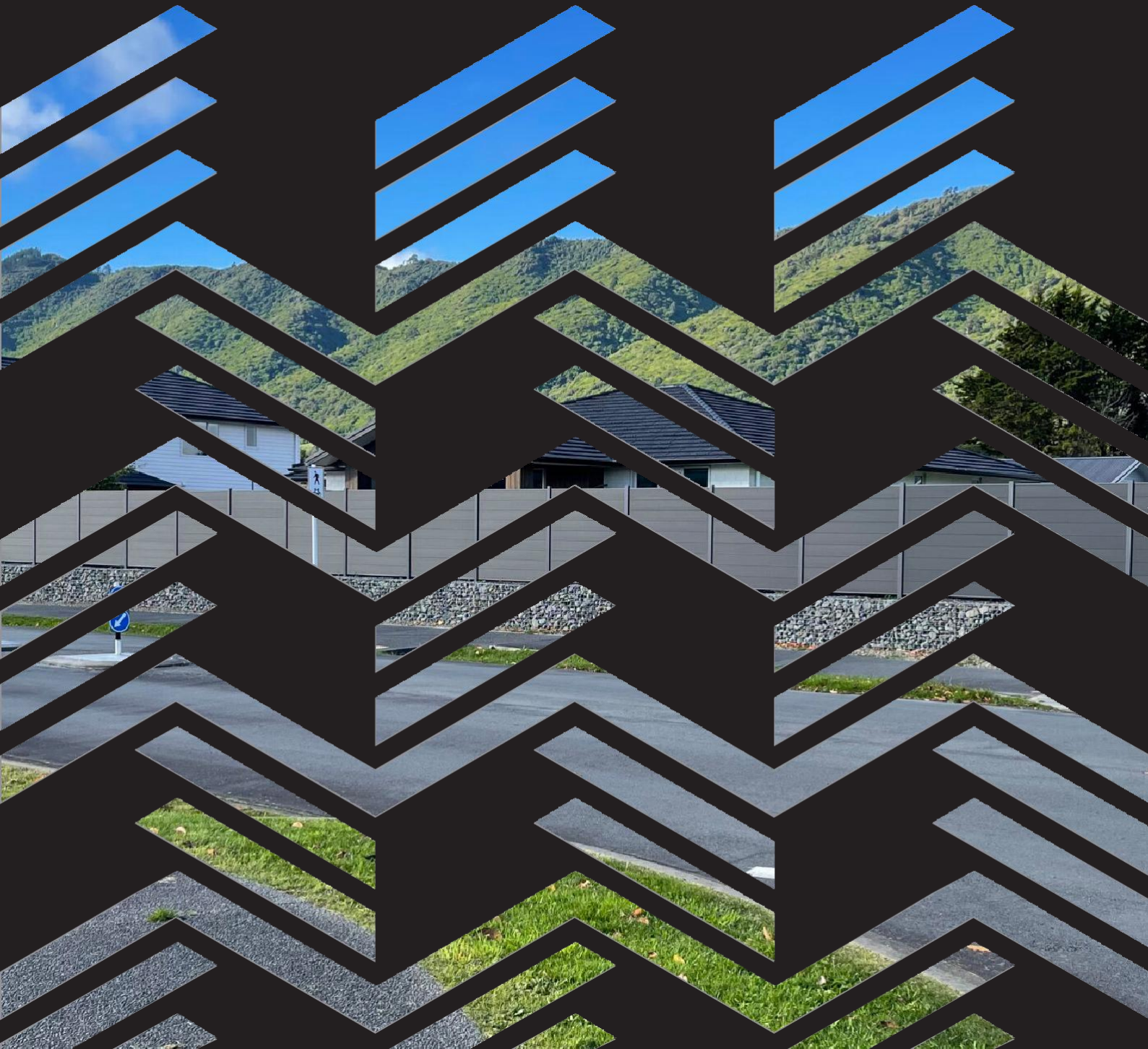




StabiFence Installation Instructions

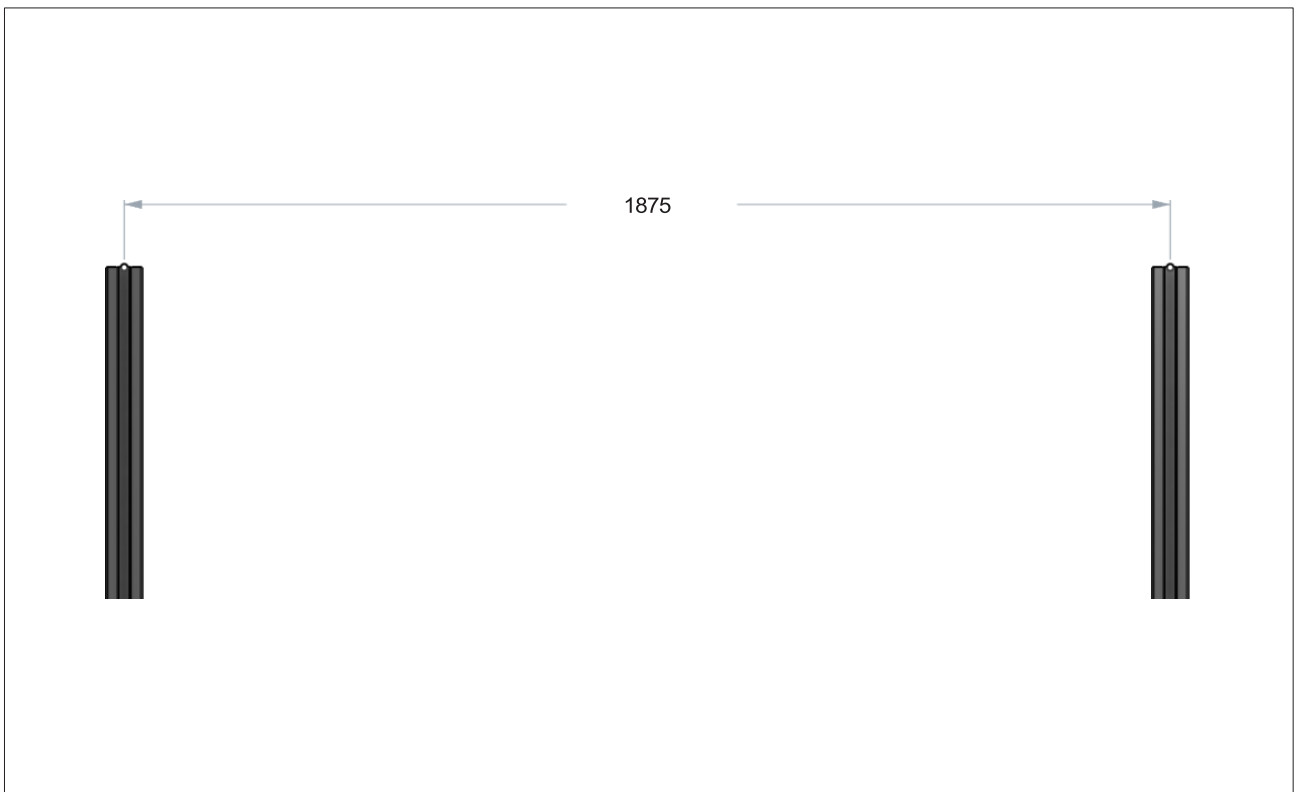


1. Lay out the fence line

- A. Prior to commencing any installation, it is important to identify where the legal boundary is and also **ensure all underground services have been identified.**
- B. Install a marker peg at each end of the fence line and run a stringline between the marker pegs to ensure that your fence line is in one straight line.

2. Marking and digging post holes

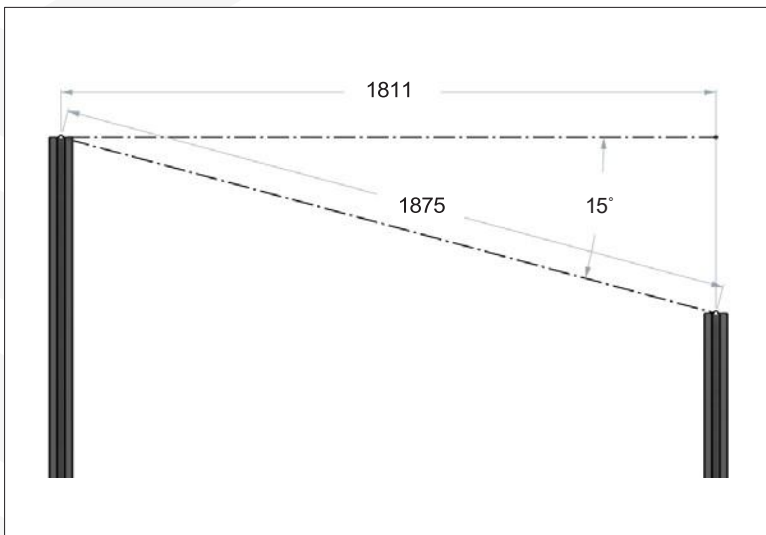
- A. StabiFence posts need to be installed at 1875mm post centres. To calculate the number of holes required in the fence line, divide the length of the fence by 1.875.



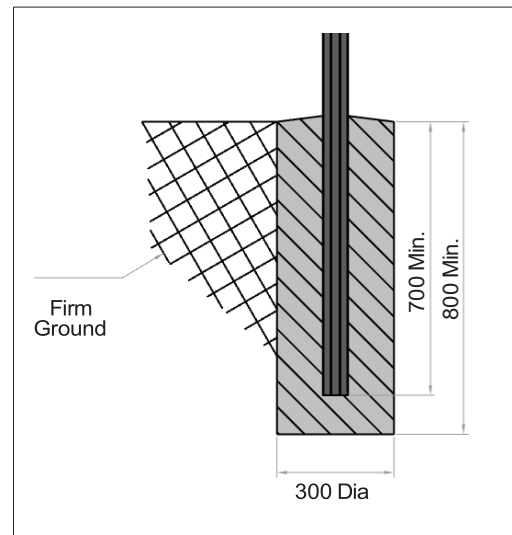
2A. Fence posts at 1875mm centres

2. Marking and digging post holes (continued)

- B. If your fence line is not in multiples of 1.875m, then you can reduce distance between the last two posts to suit.
- C. If your fence line is sloping, and you intend to rake each stabi-board, rather than step, you will need to reduce the post centres. This will be determined by the gradient.
- D. Once you have determined the location of each post, dig the holes to the dimensions recommended below.



2C. Sloping fence line

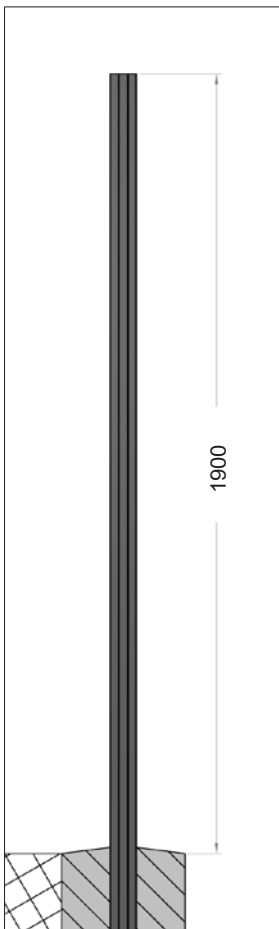


2D. Post hole size

Soil Type	Fence Height	Hole Dimensions	Concrete Requirements
Firm Soil / Clay	Up to 1400mm H	250mm diameter x 600mm deep	30kg of concrete (approx. 1.5 bags of ready mix)
	Up to 1800mm H	300mm diameter x 800mm deep	40kg of concrete (approx. 2 bags of ready mix)
	Up to 2000mm H	300mm diameter x 900mm deep	50kg of concrete (approx. 2.5 bags of ready mix)
Loose Soil / Sand	Up to 1400mm H	300mm diameter x 800mm deep	50kg of concrete (approx. 2.5 bags of ready mix)
	Up to 1800mm H	350mm diameter x 1000mm deep	60kg of concrete (approx. 3 bags of ready mix)
	Up to 2000mm H	350mm diameter x 1100mm deep	70kg of concrete (approx. 3.5 bags of ready mix)

3. Installing in-ground posts

- A. Insert the post into the hole and set the height. We recommend that the post is out of the ground 100mm higher than the fence height. This will allow for ground clearance and finer adjustment later. For example, for a 1.8m H StabiFence, the posts should be installed 1.9m above finished ground level.
- B. Ensure that the post is flush with the string line.
- C. Once the position and height of the post is correct, brace the post using timber.
- D. Fill the hole with concrete and regularly check that the post is still plumb using a spirit level and square to the stringline.
- E. Repeat steps A-D for all the posts.
- F. Once concrete has set remove all braces and clean off any concrete residue.



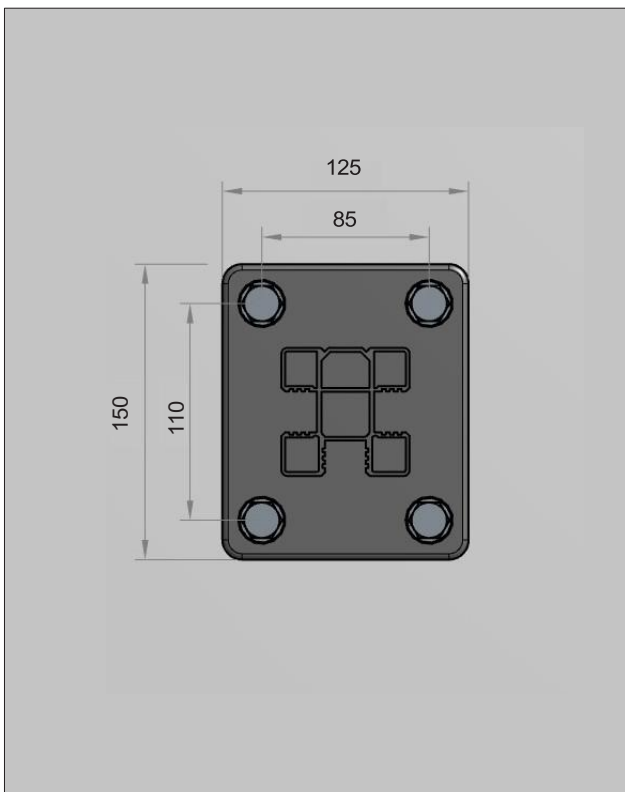
3A. Set post height



3B-E. Concrete posts in place

4. Installing base plated / bolt down posts

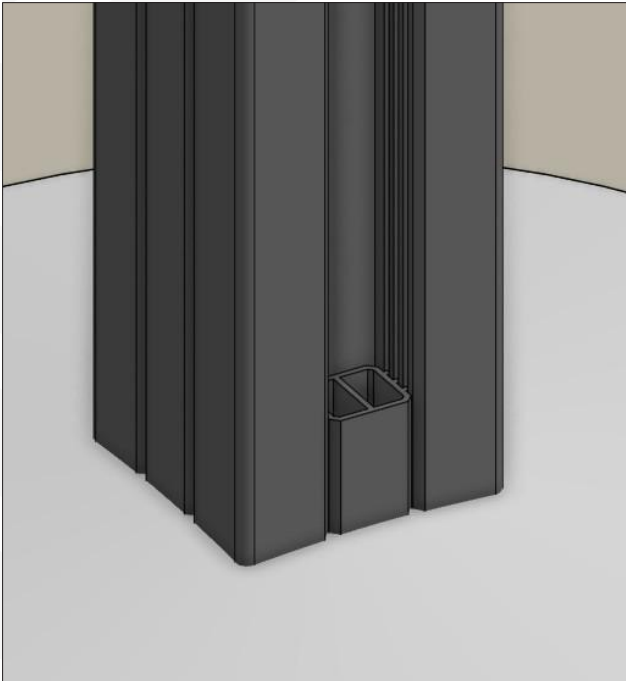
- A. For installations over existing concrete paths / patios Urban Group can supply posts with a base plate welded to the bottom of the post. These are made to order – by default Urban Group will quote and supply in-ground posts.
- B. Mark out the location of the posts as per step 2a and 2b.
- C. Drill 4x M12 holes per post to align with the holes in the base plate.
- D. Fix the post down with 4x M12 concrete screw bolts or similar (not supplied) with a minimum of 90mm embedment.
- E. Ensure the post is level by packing the underside of the base plate if needed.



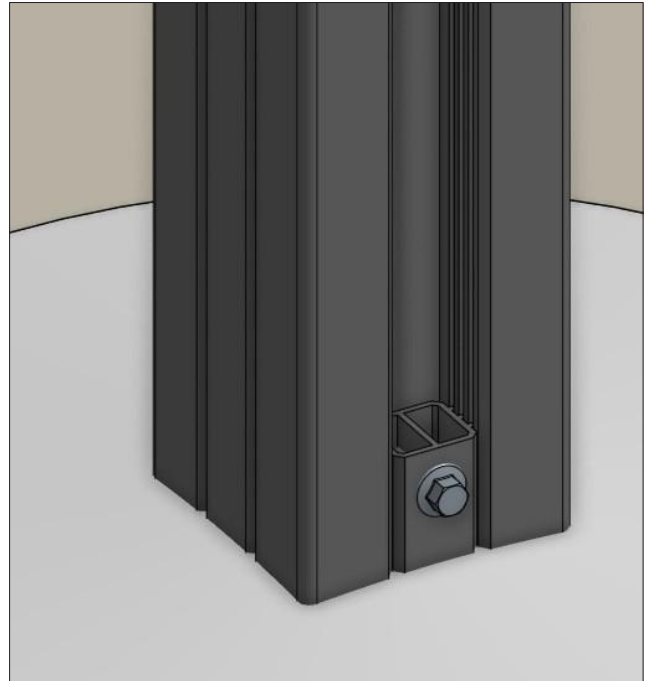
4D. Base plate holes

5. Installing the spacer block

- A. Run a stringline along the base of the posts, approx. 30mm above the finished ground height.
- B. Insert the 30mm spacer into the channel of the post and align the top of the spacer with the stringline. Ensure that the spacer is at least 1890mm from the top of the fence post.
- C. Screw the spacer block to the post using the 8g, 45mm stainless tek screw.
- D. Repeat for all of the posts.



5B. Insert 30mm spacer into channel

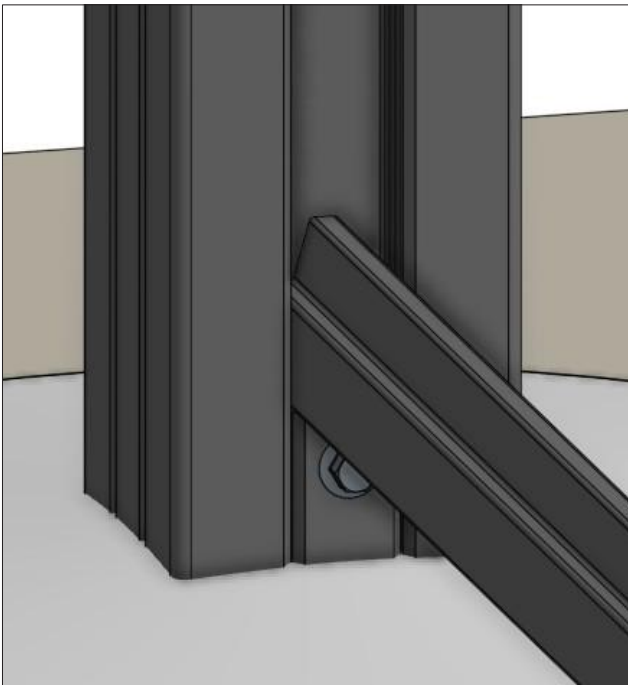


5C. Screw spacer to post

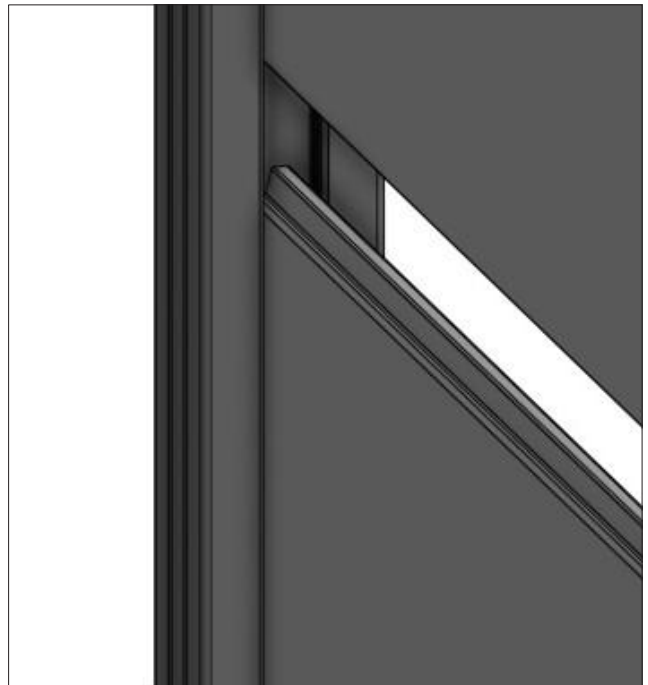
Anti-mould agents help protect against rot and decay

6. Installing rails and boards

- A. Install the bottom rail with the tongue facing up. The rail should sit level and rest on top of the spacer blocks.
- B. Install the composite fence boards one at a time with the tongue facing up until the desired height is achieved. These boards should just rest on the bottom rail. Ensure a minimum clearance of 5mm between each end of the board and the inside face of the post to allow for thermal expansion and contraction of the board



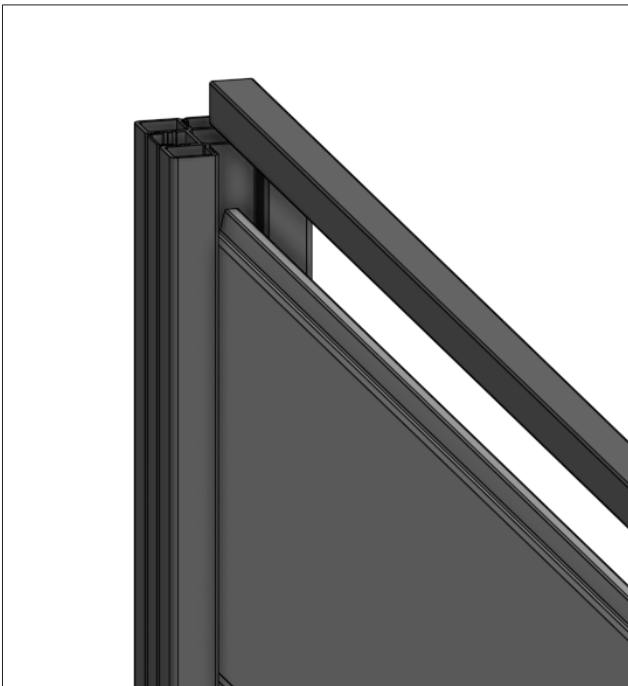
6A. Install bottom rail



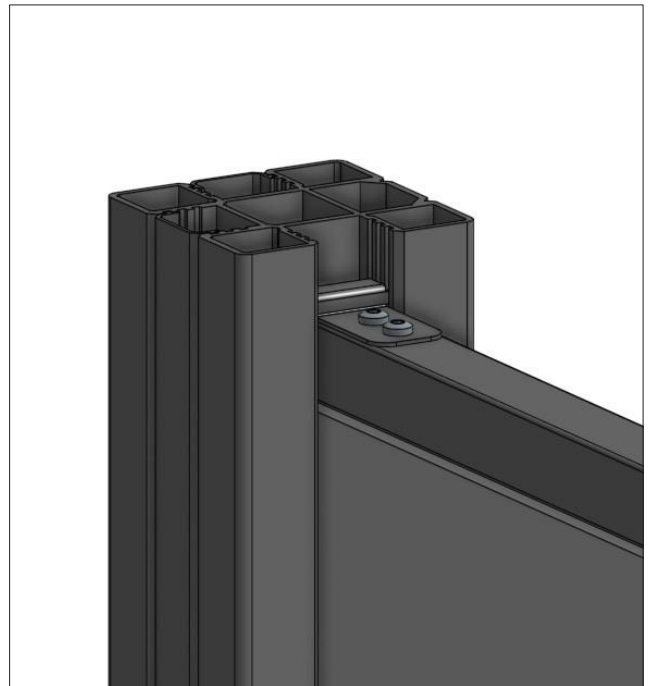
6B. Insert fence boards

6. Installing rails and boards (continued)

- C. Install the top rail.
- D. Once the top rail is installed, insert the top 'L' clip into the channel and screw it down to the top rail using 2x 8g x 25mm self drilling stainless screws.



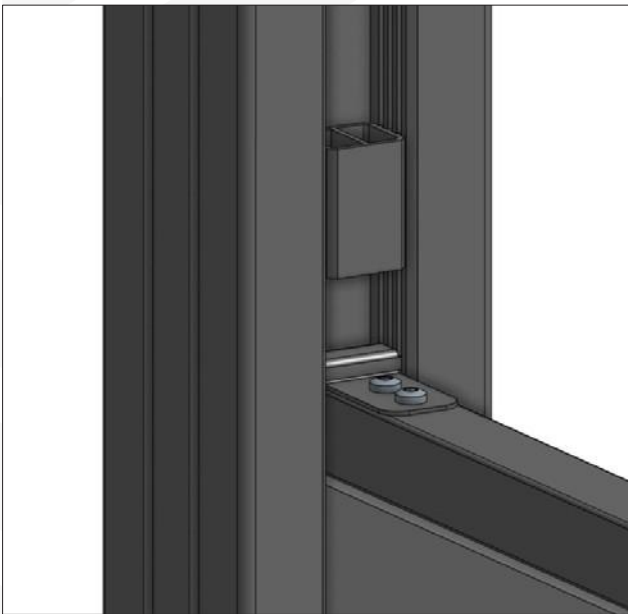
6C. Install top rail



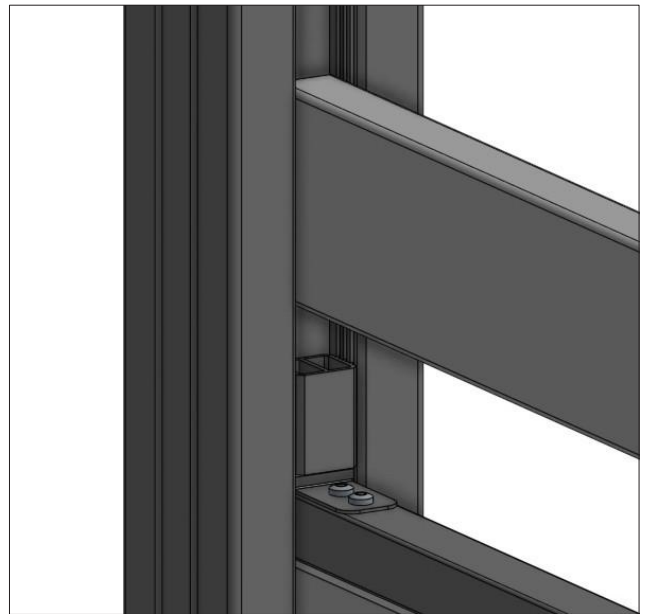
6D. Install L clip

7. If installing Slat Top Stabifence

- A. Slide a 30mm spacer into the channel.
- B. Slide a 65mm Stabislats into the channel.
- C. Repeat steps 7.A and 7.B until you have the required height.



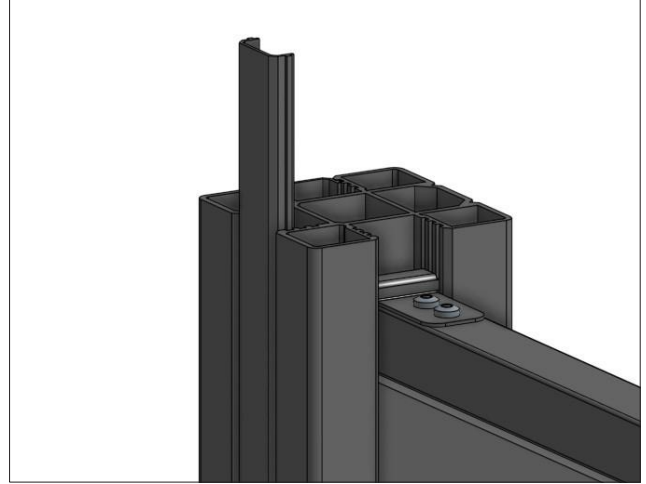
7A. Install spacer into channel



7B. Install Stabislats to the required height

8. Cover unused slots

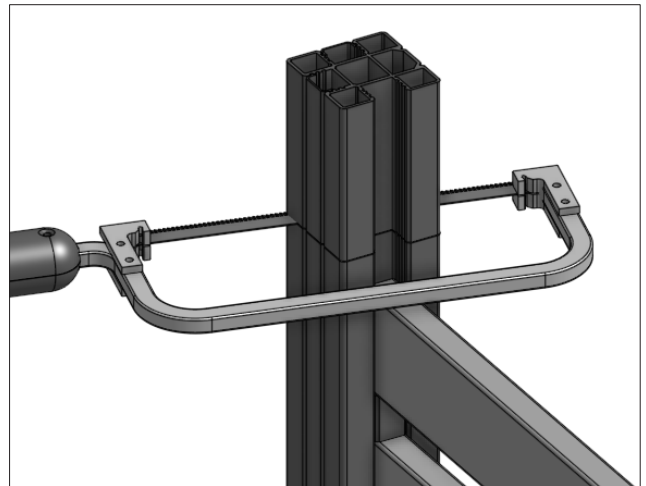
- A. Slide the slot cover into any slots not used on the fence post.



8A. Install slot covers

9. Trim posts

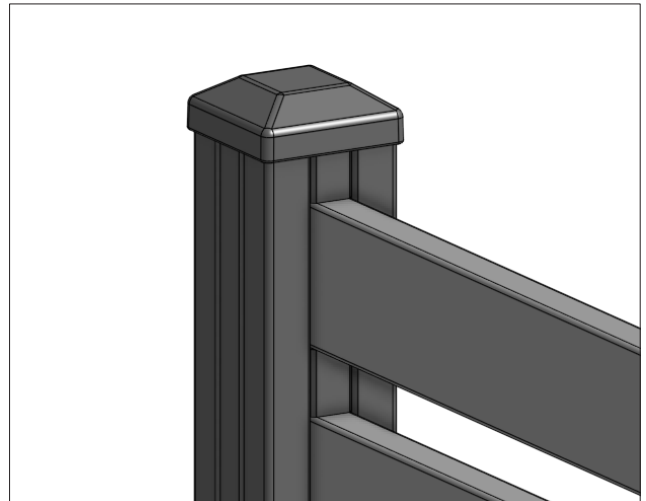
- A. Trim the top of the post if necessary, using a hacksaw or similar so that the top of the post is no more than 25mm above the top fence rail – leaving at least a 15 mm gap between the cap and the top board/slat.



9A. Trim posts to size

10. Install post caps

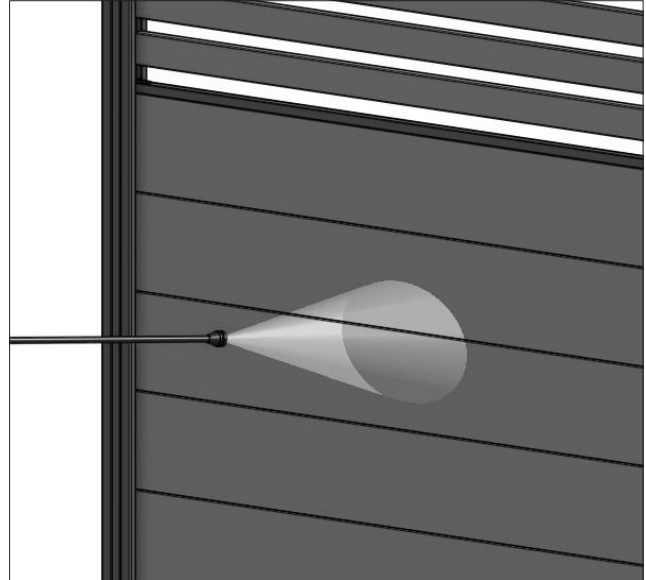
- A. Install the aluminium post cap to complete the install. You may need to use a soft rubber mallet to gently tap into place. Be careful not to hit so hard as the cap can split.



10A. Post caps

11. Wash fence

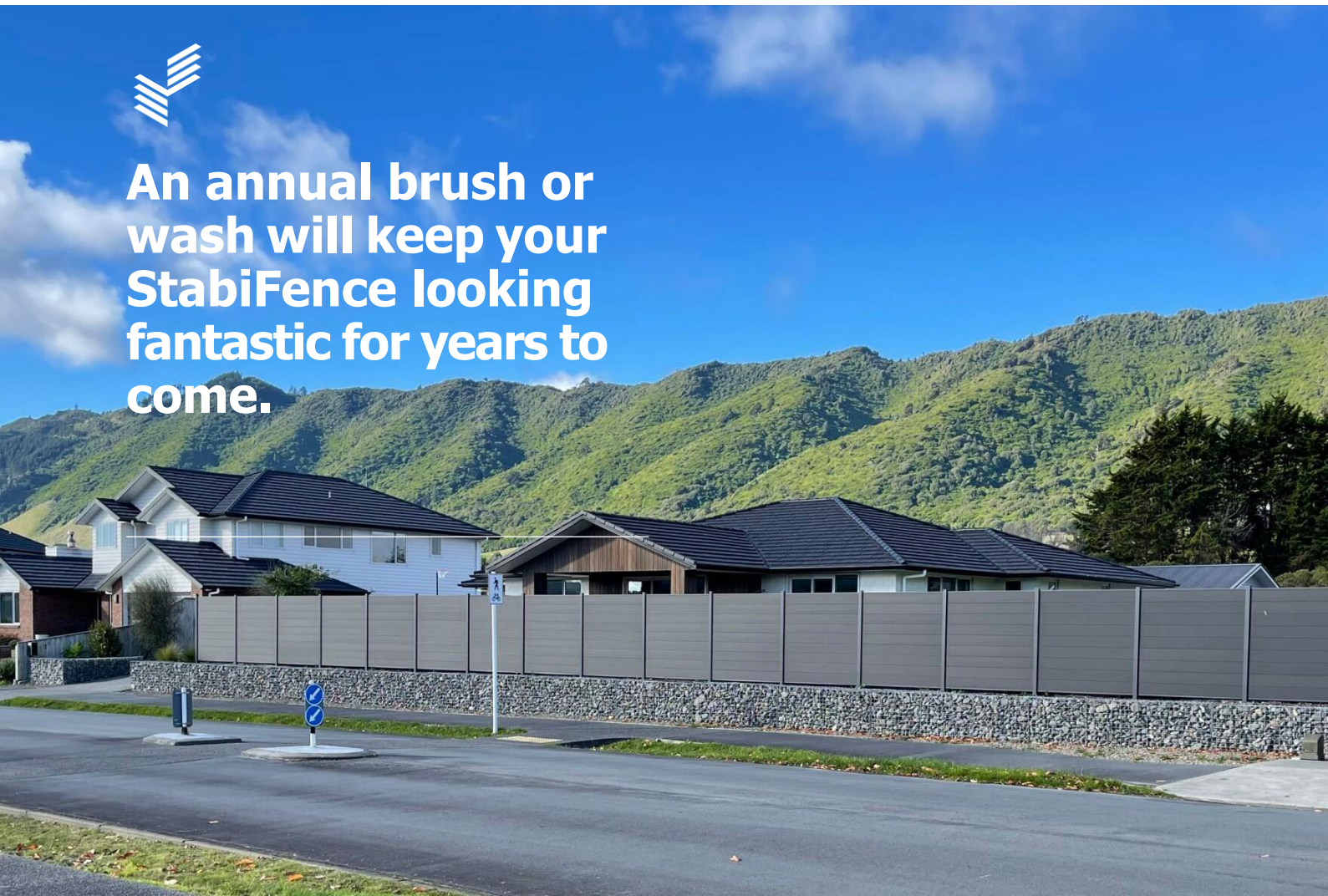
- A. Once the installation is complete, wash the fence down using a stiff bristled brush or a light pressure wash to remove any dirt. For the first few times it rains, you will notice what looks like staining. This is simply dust coming out of the grains of the boards and will disappear over time. You can speed this process up by completing a further light pressure wash 4 weeks after the fence is installed (assuming that it has rained at least 4 times).



11A. Wash fence



An annual brush or wash will keep your StabiFence looking fantastic for years to come.





Urban Group (NZ) Ltd
71A Patiki Road, Avondale
33 Tararua Road, Levin
PO Box 1136, Levin, New Zealand

Phone: +64 6 367 6363
Fax: +64 6 367 6365
Email: sales@urbangroup.co.nz

urbangroup.co.nz
stabiwood.co.nz



STABIWOOD